

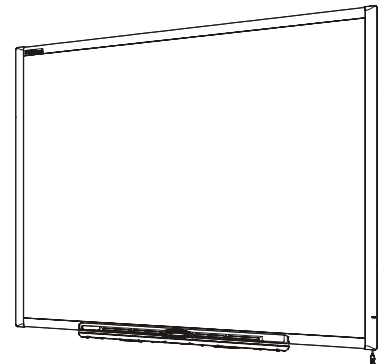
Specifications

SMART Board™ Interactive Whiteboard

Model 680

Physical Specifications

| | |
|---|--|
| Size | 65 1/4" W × 49 1/2" H × 5 1/8" D (165.7 cm × 125.7 cm × 13 cm) |
| Active Screen Area (maximum interactive, projected image) | 61 5/8" W × 46 1/8" H (156.5 cm × 117.2 cm) 77" diagonal (195.6 cm) |
| FS680 Floor Stand (with SB680 Installed) | 65 1/4" W × 67 3/4" to 81 3/4" H × 40 1/4" D (165.7 cm × 172.4 cm to 208 cm × 102.5 cm) |
| Weight | 30 lb. (13.6 kg) |
| Shipping Size | |
| 1 unit | 73 1/2" W × 54" H × 5 1/2" D (186.7 cm × 137.2 cm × 14 cm) |
| 8 units on pallet | 55" W × 78 1/2" H × 45" D (139.7 cm × 199.4 cm × 114.3 cm) |
| Shipping Weight | |
| 1 unit | 45 lb. (20.5 kg) |
| 8 units on pallet | 380 lb. (172.7 kg) |



All dimensions +/- 1/8" (0.3 cm). All weights +/- 2 lb. (0.9 kg)

Standard Features

| | |
|--------------------------------------|--|
| Software | SMART Notebook software included. See the SMART Notebook software specifications for a complete list of system requirements. Software upgrades are available at www2.smarttech.com/st/en-US/Support/SBS/ . |
| Pen Tray | Optical sensors in the pen tray detect when a pen or eraser is lifted from the tray. LEDs show the active tool. |
| Pens and Eraser | Black, blue, red and green pen tray pens and a rectangular eraser |
| Resolution | Touch resolution is approximately 4000 × 4000. |
| Screen Surface | The hard-coated polyester surface is tear proof, optimized for projection, compatible with dry-erase markers and easily cleaned with whiteboard cleaner. |
| Digitizing Technology | Resistive |
| Frame Finish | Two-tone gray (approximates Pantone® Charcoal Gray 18-0601 TPX) and Ultrasonic Chrome (approximates metallic Pantone 877 C) |
| Wall-Mount Bracket | 32" (81.3 cm) wide with five screws and drywall anchors to support a wall-mounted interactive whiteboard |
| Computer Connection | 16' (5 m) USB 2.0 cable |
| Power Requirements | Power is obtained from the computer directly through the USB cable for Windows®, Mac and Linux® computers. Power consumption is less than 1.5 W (300mA at 5V). |
| Certifications and Compliance | CSA (U.S./Canada), CE, CB (TUV), China EIP, EU RoHS, WEEE, VCCI |
| Warranty | Five-year limited equipment warranty upon registration. See warranty document for details. |

NOTE

A digital projector is not included with this model of SMART Board interactive whiteboard. To take advantage of all interactive features, you must integrate a digital projector.

Storage and Operating Specifications

| | |
|------------------|---|
| Storage | -40°F to 120°F (-40°C to 50°C) |
| Operation | 41°F to 95°F (5°C to 35°C) with up to 80% humidity non-condensing |

SMART Order Number

| | |
|--------------|--|
| SB680 | 77" (195.6 cm) diagonal SMART Board interactive whiteboard |
|--------------|--|

Optional Accessories

| Part Number | Description | NA | UK | EU | AU |
|------------------|--|----|----|----|----|
| CCJ680 | Padded cover with handles for the SMART Board 680 interactive whiteboard | | | | |
| HSCJ-680 | Hard shipping case for the SMART Board 680 interactive whiteboard and the FS670 floor stand | | | | |
| FS670 | Mobile floor stand with 4" (10.2 cm) lockable casters and flip-up anti-tip feet | | | | |
| WMCM-680 | Wall-mounted cabinet for the SMART Board 680 interactive whiteboard | | | | |
| PMWT-680 | Projector wall mount for an NEC WT600 or WT610 projector | | | | |
| RS232-XX | RS-232 to USB conversion module that allows a serial connection to the interactive whiteboard as an alternative to USB | ✓ | ✓ | | |
| WC6-XX | Wireless Bluetooth® connection between the SMART Board interactive whiteboard and the computer | ✓ | ✓ | | |
| SBA-XX | USB audio system with two 15 W speakers that mount to the interactive whiteboard or wall | ✓ | ✓ | | ✓ |
| SYSON6-XX | SystemOn expansion module wakes up the computer and turns on the projector with one button press | ✓ | ✓ | | |
| USB-GW | GoWire™ SMART Board software auto-launch USB cable | | | | |
| USB-XT | 16' (5 m) USB active extension cable | | | | |
| CAT5-XT | USB to Cat 5 cable extender set | | | | |
| RPEN-ER | Replacement set of four pen tray pens (black, red, blue and green) and rectangular eraser | | | | |
| RPEN | Replacement set of four pen tray pens (black, red, blue and green) | | | | |

NOTE

Part numbers ending in XX have power supplies for those countries or regions, as indicated by ✓ in the columns to the right. When ordering, substitute the XX in the part number with the country code as follows:

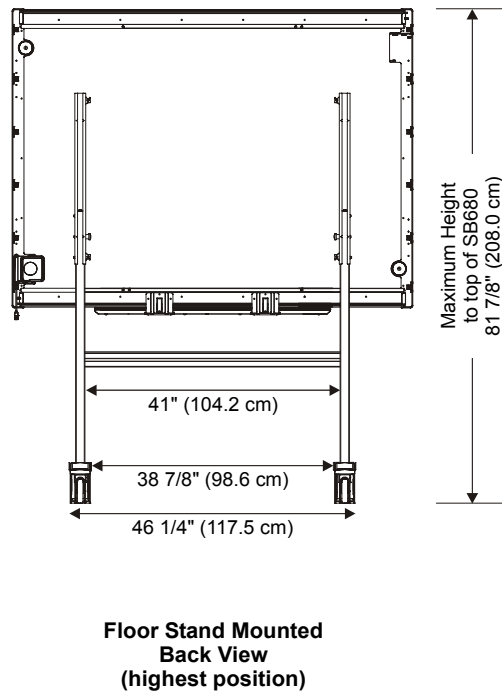
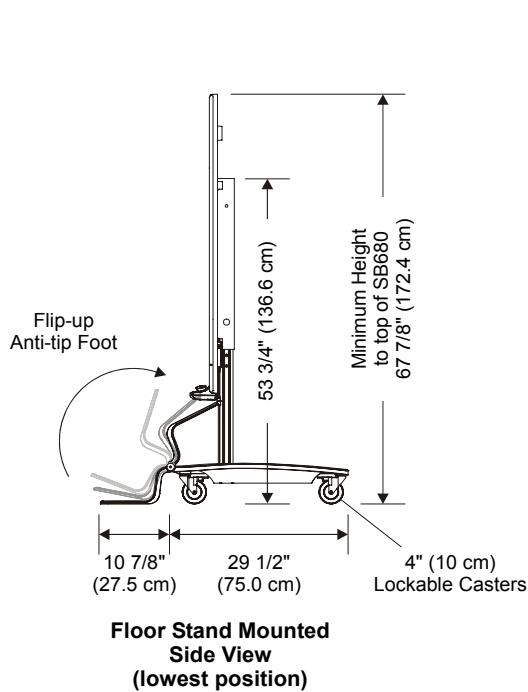
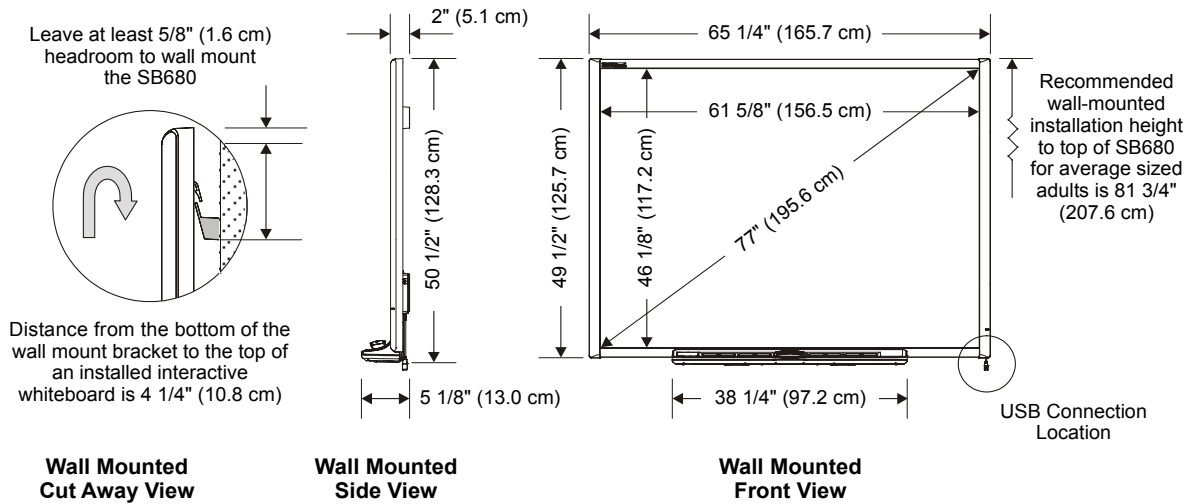
NA = U.S. and Canada

UK = United Kingdom

EU = European Union

AU = Australia

Physical Dimensions



www.smarttech.com/support www.smarttech.com/contactsupport
Support +1.403.228.5940 or Toll Free 1.866.518.6791 (U.S./Canada)

