

CL510 is designed to be suspended or embedded into the ceiling to keep the presenters' desktop or lectern neat and clean. If required power can be provided via the PoE(Power over Ethernet) function providing an economical and easy solution. The CL510 allows successful demonstrations while providing a completely clear line of sight between the presenter and their audience. The CL510 supports Full HD-1080p resolution and is equipped with a high class image sensor, professional 25x optical zoom, superior frame rate to provide high colour reproduction, no distortion, blur-free, and vivid image quality. Through a professional networked installation the CL510 allows the presenter to transmit a live image and control all the functions remotely making the CL510 an effective and efficient distance learning tool while also allowing video conferencing and medical applications like the use of real time image transmissions from operation rooms. A ceiling mounted document camera is the ideal solution to break the limitations of space for professional presentations.

Main Features

- Full HD 1080p high definition output resolution
- One button optimization function
- Intelligent time stamp on saved files
- High-definition USB image transmission in real time
- Plug & Play, no need to install USB driver
- Customized video splash screen
- Projector type (DLP/LCD) select mode
- Free multi-functional cross platform software support
- Compatible with all major IWB brands

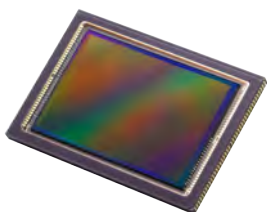


Optional Accessory :

Ceiling Mount Bridge(CL-A01)



More Details



Professional Image Sensor

High sensitivity for identifying brightness and contrast and with features like: low noise, high resolution, vivid colour reproduction even excellent image quality under insufficient light conditions without any reflection.

Smooth Image Display

Real-time image display and recording is up to 30 frames per second which is better than a high definition cinema display (24fps) to capture motion easily during the demonstration and delivery blur-free image.

30 fps



< 24 fps



Superior Image Quality

Professional 25x optical zoom lens that even at maximum magnification viewing gives excellent image detail, shape and colour is still clear without distortion. Full-HD 1080p resolution that is compatible with a variety of high definition media devices.



Support USB Flash Drive

Supports USB flash memory (up to 32GB) is ideal for recording training sessions, meetings, seminars, lectures. Previously stored images and video files saved on the USB flash drive can be conveniently played back when needed.



Control Interface

Use the Internet to see real-time images, store images, control and modify the operation from the menu of CL510. Set administrators and user passwords to prevent unauthorized users to login.



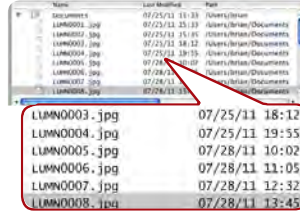
Network

Support for unicast and multicast streaming real time image from CL510 directly, no need to connect computers to allow a number of people to see a real-time image at the same time over the network.



PoE

Power supplied through the Ethernet without additional power supply to keep desk neat and clean, simplify the installation process, and save the cost for system integration.



Time Stamp and Built-in Memory

Recording captured image and video files with time stamp for data management easily. Built-in image storage is over 120 JPEG images which can be replay through remote control.



Auto Tune

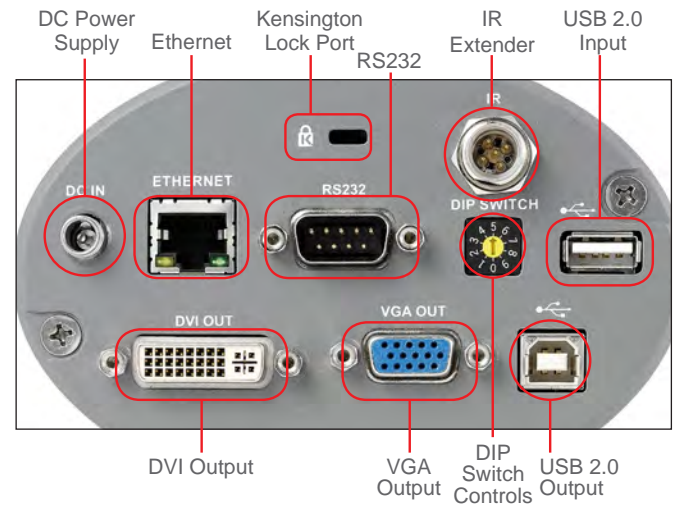
With the convenient single button - Auto Tune function, with only one light touch, the CL510 will automatically adjust the clarity, brightness, and colour of the image on site to achieve perfect image quality easily.



Synchronized Image Transmission

Through the network operation allows the user to control or modify all the functions of the CL510. Captured images with annotation and video recording files can be saved to the computer during demonstration.

I/O Connections



Production Specifications

Zoom Capacity	25x optical zoom and 5x digital zoom
Output Resolution	XGA, SXGA, UXGA, WXGA, 1080p
Ethernet	for video streaming and remote control
Capture Area	Max. 1200 x 900 mm
Frame Rate	Up to 30 fps
Signal Output	VGA x 1, DVI x 1, USB x 1, Ethernet x 1
USB Flash Drive	Up to 32GB
Built-in Memory	120 JPEG images
USB Support	High Speed 2.0 (480 Mbps) Transmission
Video Recording	Standalone or via software
Image Capture	Single or continuous capturing (time lapse photography) to internal memory, USB flash drive, or to the computer via USB

Auto Tune	Yes, Single button to adjust for best possible images
Picture by Picture (PBP)	Yes, compare live images with saved images
Slide Show	Automatically or manually
Image Rotation	Full screen image rotation from 0, 90, 180, to 270 degrees
Pan Across the Screen	Enlarge any part of the image and pan it by using the arrow keys
Color Reproduction	ΔE^*ab 8.84 (mean)
SNR	52 dB
Sharpness	MTF 900 lines
Anti-Theft	kensington lock port on document camera chassis
Podium View™ Software included	Support PC Windows 10, 8, 7, XP, Vista and Mac OSX; WIA & TWAIN interface

Lumens[™]
Brighter Teaching

Lumens Integration, Inc.
4116 Clipper Court
Fremont, CA, 94538
Phone : 888.542.3235
F a x : 510 252 1389
<http://www.MyLumens.com>

Lumens Europe
Stationstraat 5
1730 Asse, Belgium
Phone : +32 (0) 2 452 76 00
F a x : +32 (0) 2 452 76 00
<http://www.MyLumens.com>